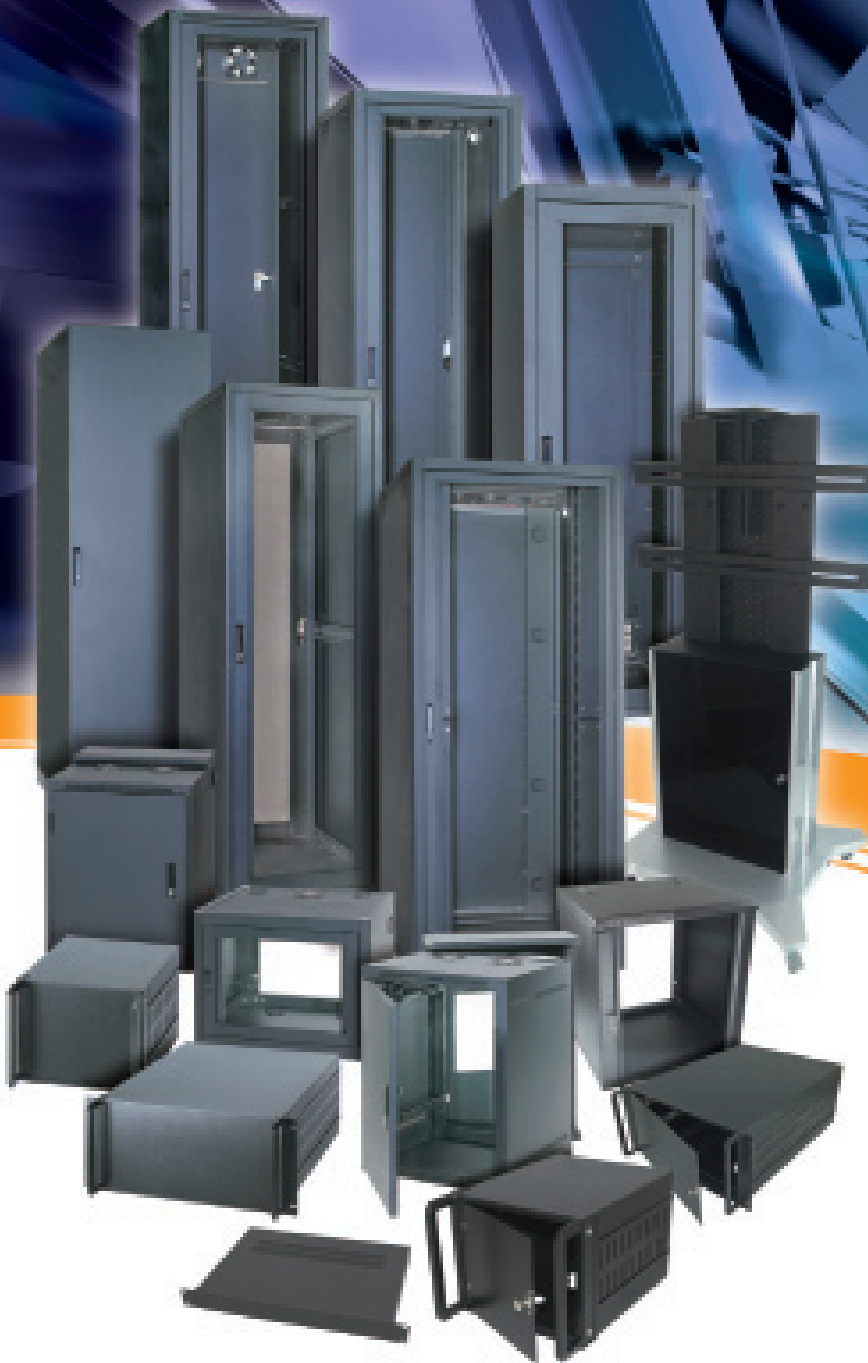




# RADISTAR CORP.

整合股份有限公司

CREATING INNOVATIVE SOLUTIONS  
FOR THE CHALLENGES & OPPORTUNITIES YOU FACE!



19-inch Cabinets



19-inch Wall Mount  
Cabinets



Instrument Cases



Videoconference-  
apparatus Holding  
Cabinet

- Communication
- Electronic Control System
- Internet/ Intranet Database System
- Lab Equipment
- Medical Equipment
- PA Broadcast System
- Hi-Fi Control / A/V System
- Gateway Monitoring Equipment



# RADISTAR CORP.

整合股份有限公司

CREATING INNOVATIVE SOLUTIONS  
FOR THE CHALLENGES & OPPORTUNITIES YOU FACE!

## RDA Series

**Elite PA Broadcast, CCTV & Audio-visual Cabinet**

**Model:RDA-41U-610**

### Key Features:

- \* Rear Door with Recessed keyed door lock design and side panels combination selectable & removable
- \* Standard cabinet with acrylic front door
- \* Multiple choice of Single cabinet or side-by-side prefab cabinets
- \* Casters w/brakes are anti-skid device for stabilization.
- \* Various Independent 19"-gauge functional inner plates for optional accessories
- \* Especially for Larger Broadcast System

### Materials:

Steel

### Finish:

Rugged Black Coating

### Applications Included:

PA Broadcast System  
Communication for CCTV  
Hi-Fi Control or A/V System  
Light Control System

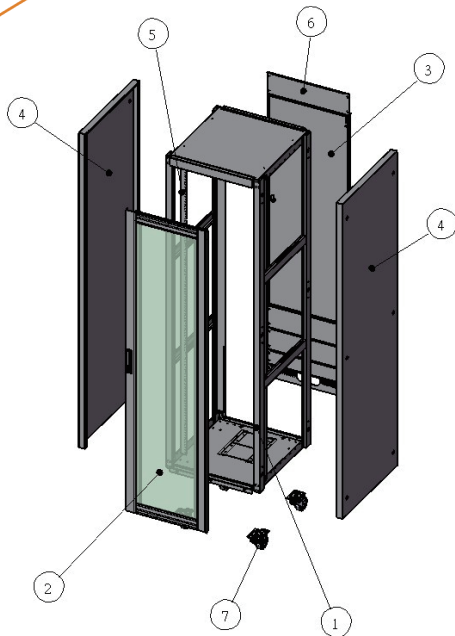
### Standard Accessories:

Acrylic Front Door  
Rear Door  
8-port Power Socket Strip (power supply)  
Casters  
Screw Kits

### Optional Accessories:

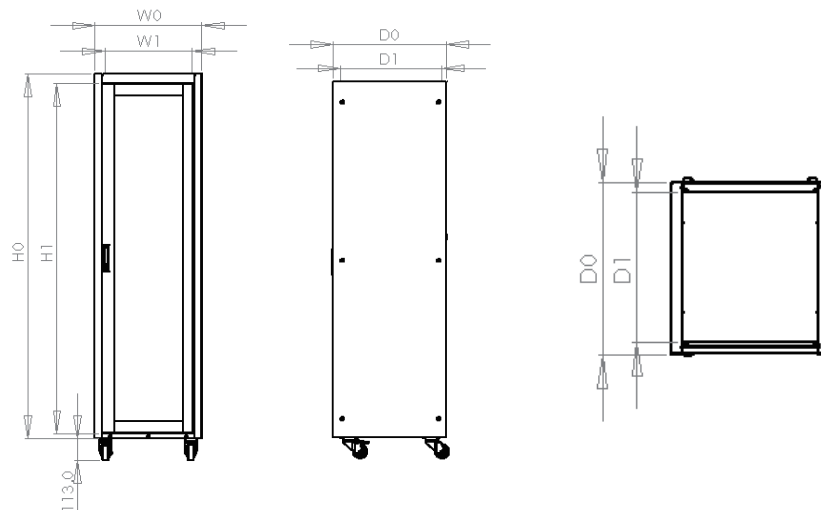
Blank Panel (1U~9U)  
Vent Panel (1U~3U)  
Rackmount Media Storage Drawers (2U~4U)  
1U Sliding Keyboard Tray w/o keyboard  
2U Keyboard Tray w/mouse pad; w/o keyboard  
Convertible Sliding Keyboard Plate  
19-inch Keyboard  
Standard 2-post Rack Shelf (2U~4U)  
Vented 2-post Rack Shelf (2U~4U)  
1U 4-post Sliding Rack Shelf  
1U 5 Ring Cable Management Panel  
1U Dual Channel Panel  
1U Cable Panel  
3-Fan Kits on the rear door





### PARTS LIST

ITEM NO	DESCRIPTION	QTY
1	Frame	1
2	Acrylic Front Door	1
3	Rear Door	1
4	Side Panels	2
5	Mounting Rails	2
6	Blank Rear Panel	1
7	Casters	4



### Elite PA Broadcast, CCTV & Audio-visual Cabinet (RDA Series)

Product Code	Dimensions						
	U	H1(mm)	H0(mm)	W1(mm)	W0(mm)	D1(mm)	D0(mm)
RDA-12U-610	12U	533	730	450	560	570	610
RDA-20U-610	20U	889	1086	450	560	570	610
RDA-23U-610	23U	1022	1219	450	560	570	610
RDA-30U-610	30U	1333	1530	450	560	570	610
RDA-35U-610	35U	1555	1753	450	560	570	610
RDA-41U-610	41U	1822	2020	450	560	570	610

\* Customization is available.