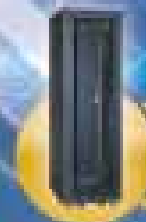




# RADISTAR CORP.

整合股份有限公司

CREATING INNOVATIVE SOLUTIONS  
FOR THE REQUIREMENTS & OPPORTUNITIES YOU FACE!



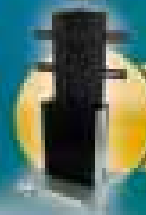
19-inch Cabinets



19-inch Wall Mount  
Cabinets



Instrument Cases



Videoconference-  
apparatus Holding  
Cabinet

- Communication
- Electronic Control System
- Internet/ Intranet Database System
- Lab Equipment
- Medical Equipment
- PA Broadcast System
- Hi-Fi Control / AV System
- Gateway Monitoring Equipment



# RADISTAR CORP.

整合股份有限公司

CREATING INNOVATIVE SOLUTIONS  
FOR THE CHALLENGES & OPPORTUNITIES YOU FACE!

## RWA Series

**Pro Series Aluminum Wall Mount Cabinet**

**Model:RWA-15U-500**

### Key Features:

- \* Acrylic Front door w/recessed lock design
- \* Design for easy assembly
- \* A low-noise fan on top for ventilation
- \* Cutouts top and bottom for optional fans and fan Quantity is available to increase for custom needs.
- \* Vented side panels keep equipment cool.
- \* Includes a pair of roll pin, cage nuts and screws.

### Materials:

Aluminum

### Finish:

Rugged Black Coating

### Applications Included:

Ideal for small to medium wall mount applications indoor environments.

### Standard Accessories:

Acrylic Front Door w/lock

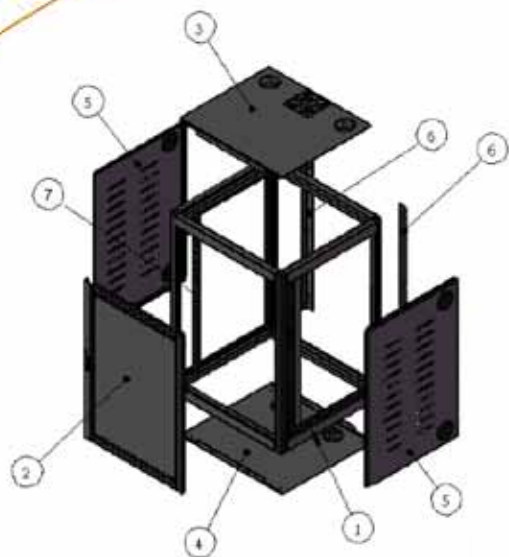
4"x1 Fan

8-port Power Socket Strip (power supply)

### Optional Accessories:

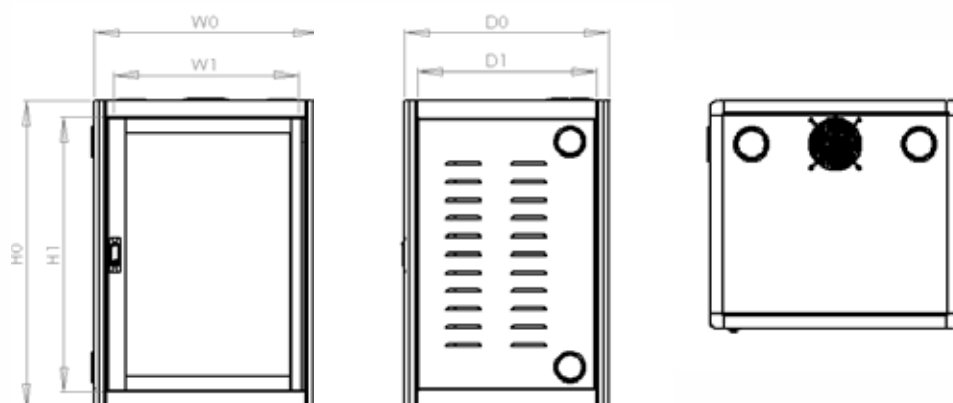
1U 2-post Rack Shelf





### PARTS LIST

ITEM NO	DESCRIPTION	QTY
1	Frame	1
2	Acrylic Front Door	1
3	Top Cover	1
4	Bottom Cover	1
5	Side Vent Panels	2
6	Wall Mount Frame	2
7	Mounting Rails	2



### Pro Series Aluminum Wall Mount Cabinet (RWA Series)

Product Code	Dimensions						
	U	H1(mm)	H0(mm)	W1(mm)	W0(mm)	D1(mm)	D0(mm)
RWA-9U-500	9U	400	486	450	550	437	500
RWA-12U-500	12U	533	619	450	550	437	500
RWA-15U-500	15U	667	753	450	550	437	500

\* Customization is available.